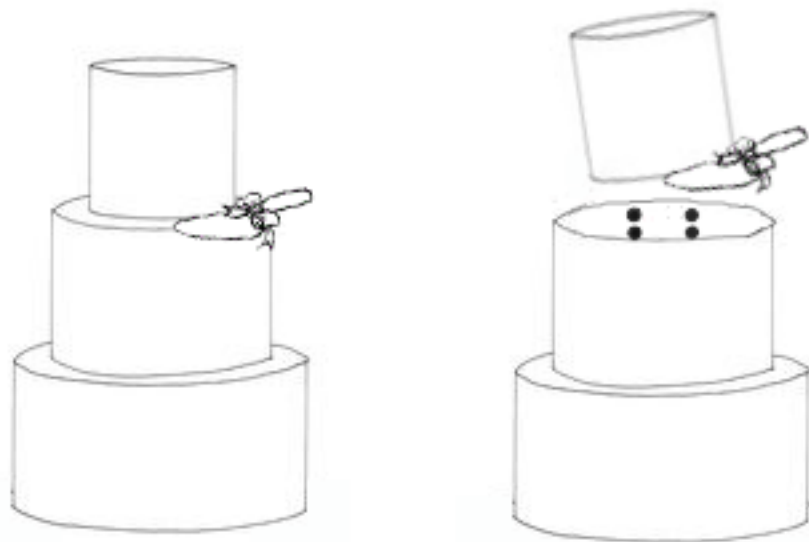


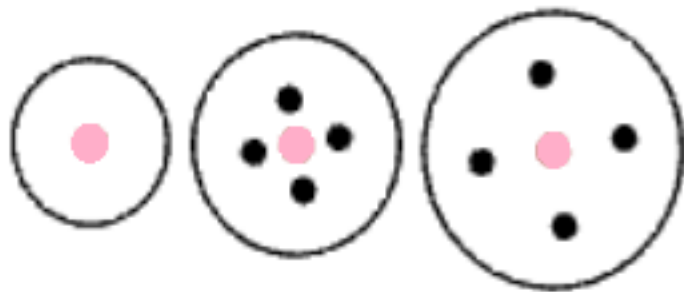
How to disassemble a tiered cake



1) Remove all decorations from the cake, i.e. flowers, bows and metal wires etc.

2) Remove the center dowel. It is located in the center of the cake. You will need to feel for the dowel and pull it out.

3) Take a knife or cake cutter and place it between the first and second tier. Gently lift it off the cake below. There are cardboard cake rounds under each tier and that should be your guide on where to lift.



*The pink dot is the center dowel and the black dots are the support dowels. Depending on the size of your cake, there can be between 4-7 support dowels in each cake.

4) Remove all of the support dowels from the tiers below, cut and enjoy. Keep in mind, all tiers below the top tier will contain support dowels.